

ERF7000W1



EN Refrigerator

User Manual



## CONTENTS

1. SAFETY INFORMATION.....	2
2. SAFETY INSTRUCTIONS.....	4
3. OPERATION.....	5
4. DAILY USE.....	6
5. HINTS AND TIPS.....	7
6. CARE AND CLEANING.....	8
7. TROUBLESHOOTING.....	10
8. INSTALLATION.....	12
9. NOISES.....	14
10. TECHNICAL INFORMATION.....	16

## WE'RE THINKING OF YOU

Thank you for purchasing an Electrolux appliance. You've chosen a product that brings with it decades of professional experience and innovation. Ingenious and stylish, it has been designed with you in mind. So whenever you use it, you can be safe in the knowledge that you'll get great results every time.

Welcome to Electrolux.

**Visit our website for:**



Get usage advice, brochures, trouble shooter, service information:  
**[www.electrolux.com/webselfservice](http://www.electrolux.com/webselfservice)**



Register your product for better service:  
**[www.registerelectrolux.com](http://www.registerelectrolux.com)**



Buy Accessories, Consumables and Original spare parts for your appliance:  
**[www.electrolux.com/shop](http://www.electrolux.com/shop)**

## CUSTOMER CARE AND SERVICE

Always use original spare parts.

When contacting our Authorised Service Centre, ensure that you have the following data available: Model, PNC, Serial Number.

The information can be found on the rating plate.



Warning / Caution-Safety information



General information and tips



Environmental information

Subject to change without notice.

### 1. ⚠ SAFETY INFORMATION

Before the installation and use of the appliance, carefully read the supplied instructions. The manufacturer is not responsible if an incorrect installation and use causes

injuries and damages. Always keep the instructions with the appliance for future reference.

### 1.1 Children and vulnerable people safety

- This appliance can be used by children aged from 8 years and above and persons with reduced physical, sensory or mental capabilities or lack of experience and knowledge if they have been given supervision or instruction concerning use of the appliance in a safe way and understand the hazards involved.
- Do not let children play with the appliance.
- Cleaning and user maintenance shall not be made by children without supervision.
- Keep all packaging away from children.

### 1.2 General Safety

- This appliance is intended to be used in household and similar applications such as:
  - Farm houses; staff kitchen areas in shops, offices and other working environments
  - By clients in hotels, motels, bed and breakfast and other residential type environments
- Keep ventilation openings, in the appliance enclosure or in the built-in structure, clear of obstruction.
- Do not use mechanical devices or other means to accelerate the defrosting process, other than those recommended by the manufacturer.
- Do not damage the refrigerant circuit.
- Do not use electrical appliances inside the food storage compartments of the appliance, unless they are of the type recommended by the manufacturer.
- Do not use water spray and steam to clean the appliance.
- Clean the appliance with a moist soft cloth. Only use neutral detergents. Do not use abrasive products, abrasive cleaning pads, solvents or metal objects.

- Do not store explosive substances such as aerosol cans with a flammable propellant in this appliance.
- If the supply cord is damaged, it must be replaced by the manufacturer, its Authorised Service Centre or similarly qualified persons in order to avoid a hazard.

## 2. SAFETY INSTRUCTIONS

### 2.1 Installation



#### **WARNING!**

Only a qualified person must install this appliance.

- Remove all the packaging.
- Do not install or use a damaged appliance.
- Obey the installation instruction supplied with the appliance.
- Always be careful when you move the appliance because it is heavy. Always wear safety gloves.
- Make sure the air can circulate around the appliance.
- Wait at least 4 hours before connecting the appliance to the power supply. This is to allow the oil to flow back in the compressor.
- Do not install the appliance close to radiators or cookers, oven or hobs.
- The rear of the appliance must stand against the wall.
- Do not install the appliance where there is direct sunlight.
- Do not install this appliance in areas that are too humid or too colds, such as the construction appendices, garages or wine cellars.
- When you move the appliance, lift it by the front edge to avoid scratching the floor.

### 2.2 Electrical connection



#### **WARNING!**

Risk of fire and electrical shock.

- The appliance must be earthed.
- Make sure that the electrical information on the rating plate agrees with the power supply. If not, contact an electrician.

- Always use a correctly installed shockproof socket.
- Do not use multi-plug adapters and extension cables.
- Make sure not to cause damage to the electrical components (e.g. mains plug, mains cable, compressor). Contact the Authorised Service Centre or an electrician to change the electrical components.
- The mains cable must stay below the level of the mains plug.
- Connect the mains plug to the mains socket only at the end of the installation. Make sure that there is access to the mains plug after the installation.
- Do not pull the mains cable to disconnect the appliance. Always pull the mains plug.

### 2.3 Use



#### **WARNING!**

Risk of injury, burns, electrical shock or fire.

- Do not change the specification of this appliance.
- Do not put electrical appliances (e.g. ice cream makers) in the appliance unless they are stated applicable by the manufacturer.
- Be careful not to cause damage to the refrigerant circuit. It contains isobutane (R600a), a natural gas with a high level of environmental compatibility. This gas is flammable.
- If damage occurs to the refrigerant circuit, make sure that there are no flames and sources of ignition in the room. Ventilate the room.
- Do not let hot items to touch the plastic parts of the appliance.

- Do not store flammable gas and liquid in the appliance.
- Do not put flammable products or items that are wet with flammable products in, near or on the appliance.
- Do not touch the compressor or the condenser. They are hot.

## 2.4 Internal light

- The type of lamp used for this appliance is not suitable for household room illumination

## 2.5 Care and cleaning



### **WARNING!**

Risk of injury or damage to the appliance.

- Before maintenance, deactivate the appliance and disconnect the mains plug from the mains socket.
- This appliance contains hydrocarbons in the cooling unit. Only a qualified person must do the maintenance and the recharging of the unit.
- Regularly examine the drain of the appliance and if necessary, clean it. If

the drain is blocked, defrosted water collects in the bottom of the appliance.

## 2.6 Disposal



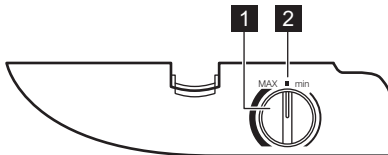
### **WARNING!**

Risk of injury or suffocation.

- Disconnect the appliance from the mains supply.
- Cut off the mains cable and discard it.
- Remove the door to prevent children and pets to be closed inside of the appliance.
- The refrigerant circuit and the insulation materials of this appliance are ozone-friendly.
- The insulation foam contains flammable gas. Contact your municipal authority for information on how to discard the appliance correctly.
- Do not cause damage to the part of the cooling unit that is near the heat exchanger.

# 3. OPERATION

## 3.1 Control Panel



- 1** Fridge temperature regulator
- 2** Fridge OFF position

## 3.2 Switching on

1. Connect the mains plug to the mains socket.
2. Turn the Fridge Temperature regulator clockwise to a medium setting.

## 3.3 Switching off the fridge

Turn the Fridge temperature regulator to the OFF position.

## 3.4 Temperature regulation

The temperature is regulated automatically.



A medium setting is generally the most suitable. However, the exact setting should be chosen keeping in mind that the temperature inside the appliance depends on:

- room temperature,
- how often the door is opened,
- the quantity of food stored,
- the location of the appliance.

1. Turn the Temperature regulator counter clockwise to obtain warmer storage temperature.
2. Turn the Temperature regulator clockwise to obtain colder storage temperature.

## 4. DAILY USE

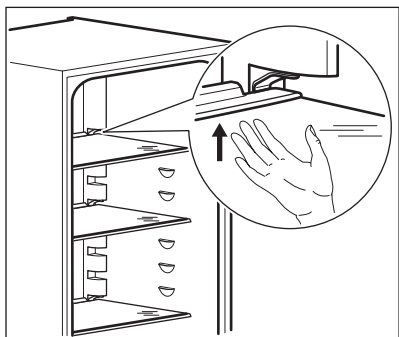
### 4.1 Movable shelves

The walls of the refrigerator are equipped with a series of shelves support so that the shelves can be positioned as desired.

Some shelves must be lifted up by the rear edge to enable them to be removed.



Do not move the glass shelf above the vegetable drawer to ensure correct air circulation.



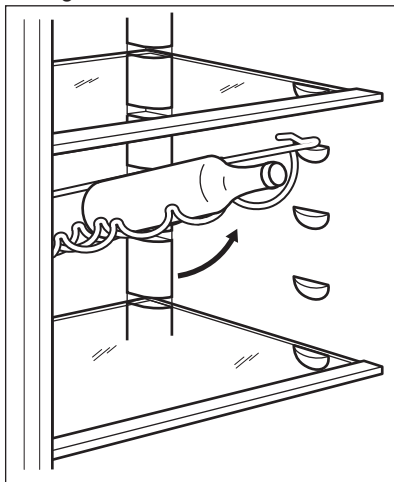
### 4.2 Bottle rack

1. Place the bottles (with the opening facing front) in the pre-positioned shelf.



If the shelf is positioned horizontally, place only closed bottles.

2. To store previously opened bottles, pull the shelf up so it can rotate upwards and be placed on the next higher level.



### 4.3 Vegetable Drawer

The drawer is suitable for storing fruit and vegetables.

Some models have a separator inside the drawer that can be placed in different positions to allow for the subdivision best suited to personal needs.

All parts inside the drawer can be removed for cleaning purposes.

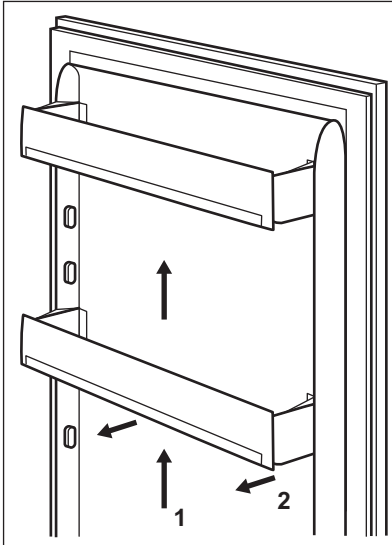
#### 4.4 Positioning the door shelves

To permit storage of food packages of various sizes, the door shelves can be placed at different heights.

Gradually pull the shelf in the direction of arrows until it comes free, then reposition as required.



Do not move the big lower door shelf to ensure correct air circulation.



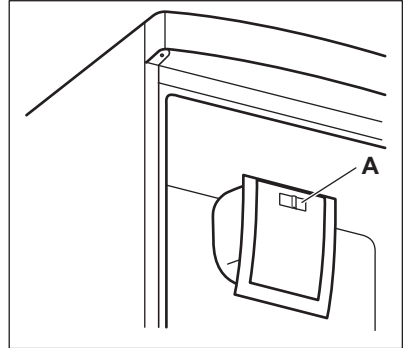
#### 4.5 FreeStore

The refrigerator compartment is equipped with a FreeStore function which enables rapid cooling of foods and a more uniform storage temperature.



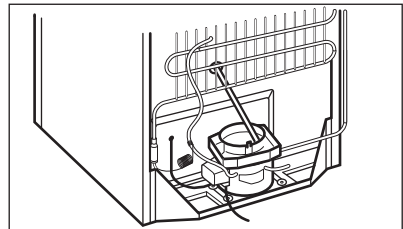
It is suggested to activate FreeStore when the ambient temperature exceeds 25°C.

Set the switch (A) to the On position and the fan runs when the compressor is running.



#### 4.6 Cleaning the interior

1. Before using the appliance for the first time, wash the interior and all internal accessories with lukewarm water and neutral soap so as to remove the typical smell of a brand-new product, then dry thoroughly.
2. Check that the drain hose at the rear of the cabinet discharges into the drip tray.



#### CAUTION!

Do not use detergents or abrasive powders, as these will damage the finish.

## 5. HINTS AND TIPS

### 5.1 Normal operating sounds

The following sounds are normal during operation:

- A faint gurgling and bubbling sound from coils sound when refrigerant is pumped.

- A whirring and pulsating sound from the compressor when refrigerant is pumped.
- A sudden cracking noise from inside appliance caused by thermic dilatation (a natural and not dangerous physical phenomenon).
- A faint click noise from the temperature regulator when the compressor switches on or off.

## 5.2 Hints for energy saving

- Do not open the door frequently or leave it open longer than absolutely necessary.
- If the ambient temperature is high and the Temperature Regulator is set to low temperature and the appliance is fully loaded, the compressor may run continuously, causing frost or ice on the evaporator. If this happens, set the Temperature Regulator toward warmer settings to allow automatic defrosting and so a saving in electricity consumption.

## 5.3 Hints for fresh food refrigeration

To obtain the best performance:

- do not store warm food or evaporating liquids in the refrigerator
- do cover or wrap the food, particularly if it has a strong flavour
- position food so that air can circulate freely around it

## 5.4 Hints for refrigeration

Useful hints:

- Meat (all types) : wrap in polythene bags and place on the glass shelf above the vegetable drawer.

- For safety, store in this way only one or two days at the most.
- Cooked foods, cold dishes, etc. : these should be covered and may be placed on any shelf.
- Fruit and vegetables: these should be thoroughly cleaned and placed in the special drawer(s) provided.
- Butter and cheese: these should be placed in special airtight containers or wrapped in aluminium foil or polythene bags to exclude as much air as possible.
- Bottles: these need a cap and should be stored on the door bottle shelf, or (if equipped) on the bottle rack.
- Bananas, potatoes, onions and garlic, if not packed, must not be kept in the refrigerator.

## 5.5 Hints for temperature inside the refrigerator

A suitable temperature inside the refrigerator is approximately +5° C. If the temperature regulator is set to a cold temperature, the ambient temperature is high or if the appliance is fully loaded the compressor will run for a longer time. If too cold, change to a higher temperature setting.

If you want to check the temperature of food stored in the refrigerator, place a glass of water centrally in the cabinet, and put a proper thermometer with an accuracy of +/- 1 °C into it. After 6 hours the temperature can be monitored. The measuring shall be performed under steady-stated conditions (without changing the load).

# 6. CARE AND CLEANING



**WARNING!**  
Refer to Safety chapters.



## 6.1 General warnings

**CAUTION!**  
Unplug the appliance before carrying out any maintenance operation.



**i** This appliance contains hydrocarbons in its cooling unit; maintenance and recharging must therefore only be carried out by authorized technicians.

**i** The accessories and parts of the appliance are not suitable for washing in a dishwasher.

## 6.2 Periodic cleaning

**!** **CAUTION!**  
Do not pull, move or damage any pipes and/or cables inside the cabinet.

**!** **CAUTION!**  
Take care of not to damage the cooling system.

**!** **CAUTION!**  
When moving the cabinet, lift it by the front edge to avoid scratching the floor.

The equipment has to be cleaned regularly:

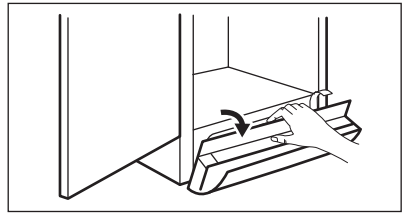
1. Clean the inside and accessories with lukewarm water and some neutral soap.
2. Regularly check the door seals and wipe clean to ensure they are clean and free from debris.
3. Rinse and dry thoroughly.
4. If accessible, clean the condenser and the compressor at the back of the appliance with a brush.  
This operation will improve the performance of the appliance and save electricity consumption.

## 6.3 Cleaning the ventilation grille

Make sure the door is open.

The ventilation grille can be removed for washing.

1. Loosen the edge of the grille by pulling it according to the figure.

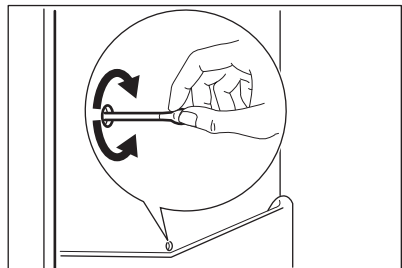


2. Pull the grille straight out to completely remove it.
3. Vacuum clean under the cabinet.

## 6.4 Defrosting of the refrigerator

Frost is automatically eliminated from the evaporator of the refrigerator compartment every time the motor compressor stops, during normal use. The defrost water drains out through a trough into a special container at the back of the appliance, over the motor compressor, where it evaporates.

It is important to periodically clean the defrost water drain hole in the middle of the refrigerator compartment channel to prevent the water overflowing and dripping onto the food inside.



## 6.5 Periods of non-operation

When the appliance is not in use for long periods, take the following precautions:

1. Disconnect the appliance from electricity supply.
2. Remove all food.
3. Clean the appliance and all accessories.
4. Leave the door/doors open to prevent unpleasant smells.

**WARNING!**

If you want to keep the appliance switched on, ask somebody to check it once in a while to prevent the food inside from spoiling in case of a power failure.

## 7. TROUBLESHOOTING

**WARNING!**

Refer to Safety chapters.

### 7.1 What to do if...

Problem	Possible cause	Solution
The appliance does not operate.	The appliance is switched off.	Switch on the appliance.
	The mains plug is not connected to the mains socket correctly.	Connect the mains plug to the mains socket correctly.
	There is no voltage in the mains socket.	Connect a different electrical appliance to the mains socket. Contact a qualified electrician.
The appliance is noisy.	The appliance is not supported properly.	Check if the appliance stands stable.
The lamp does not work.	The lamp is in stand-by.	Close and open the door.
The lamp does not work.	The lamp is defective.	Refer to "Replacing the lamp".
The compressor operates continually.	Temperature is set incorrectly.	Refer to "Operation" chapter.
	Many food products were put in at the same time.	Wait some hours and then check the temperature again.
	The room temperature is too high.	Refer to climate class chart on the rating plate.
	Food products placed in the appliance were too warm.	Allow food products to cool to room temperature before storing.
	The door is not closed correctly.	Refer to "Closing the door".

Problem	Possible cause	Solution
There is too much frost and ice.	The door is not closed correctly or the gasket is deformed/dirty.	Refer to "Closing the door".
	Food products are not wrapped properly.	Wrap the food products better.
	Temperature is set incorrectly.	Refer to "Operation" chapter.
Water flows on the rear plate of the refrigerator.	During the automatic defrosting process, frost melts on the rear plate.	This is correct.
Water flows inside the refrigerator.	The water outlet is clogged.	Clean the water outlet.
	Food products prevent that water flows into the water collector.	Make sure that food products do not touch the rear plate.
Water flows on the floor.	The melting water outlet is not connected to the evaporative tray above the compressor.	Attach the melting water outlet to the evaporative tray.
Door is misaligned or interferes with ventilation grill.	The appliance is not levelled.	Refer to "Levelling".
The temperature in the appliance is too low/too high.	The temperature regulator is not set correctly.	Set a higher/lower temperature.
	The door is not closed correctly.	Refer to "Closing the door".
	Food products placed in the appliance were too warm.	Allow food products to cool to room temperature before storing.
	Many food products were put in at the same time.	Wait some hours and then check the temperature again.
	The door has been opened often.	Open the door only if necessary.
	There is no cold air circulation in the appliance.	Make sure that there is cold air circulation in the appliance.

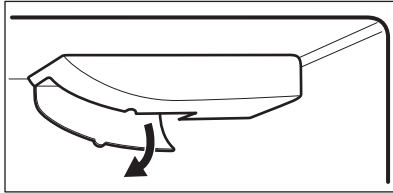


If the advice does not lead to the desired result, call the nearest Authorised Service Centre.

## 7.2 Replacing the lamp

1. Disconnect the appliance from the power socket.
2. Fold the lamp cover backward by loosen the front edge.

3. Replace the bulb with one of the same power and specifically designed for household appliances (the maximum power is shown on the light unit) and with E14 socket type.
4. Reconnect the appliance.



## 8. INSTALLATION



### WARNING!

Refer to Safety chapters.

### 8.1 Positioning

This appliance can be installed in a dry, well ventilated indoor where the ambient temperature corresponds to the climate class indicated on the rating plate of the appliance:

Climate class	Ambient temperature
SN	+10°C to + 32°C
N	+16°C to + 32°C
ST	+16°C to + 38°C
T	+16°C to + 43°C



Some functional problems might occur for some types of models when operating outside of that range. The correct operation can only be guaranteed within the specified temperature range. If you have any doubts regarding where to install the appliance, please turn to the vendor, to our customer service or to the nearest Authorised Service Centre.

### 7.3 Closing the door

1. Clean the door gaskets.
2. If necessary, adjust the door. Refer to the assembly instructions.
3. If necessary, replace the defective door gaskets. Contact the Authorised Service Centre.

### 8.2 Electrical connection

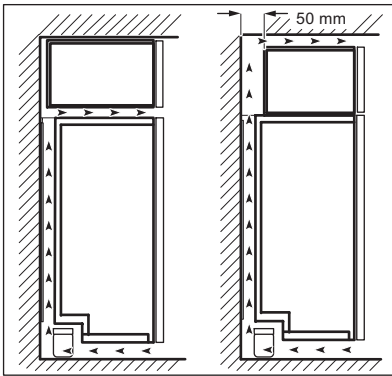
- Before plugging in, ensure that the voltage and frequency shown on the rating plate correspond to your domestic power supply.
- The appliance must be earthed. The power supply cable plug is provided with a contact for this purpose. If the domestic power supply socket is not earthed, connect the appliance to a separate earth in compliance with current regulations, consulting a qualified electrician.
- The manufacturer declines all responsibility if the above safety precautions are not observed.
- This appliance complies with the E.E.C. Directives.

### 8.3 Location

To ensure best performance, if the appliance is positioned below an overhanging wall unit, the minimum distance between the top of the cabinet and the wall unit must be at least 40 mm. Ideally, however, the appliance should not be positioned below overhanging wall units.

The ventilation space can be:

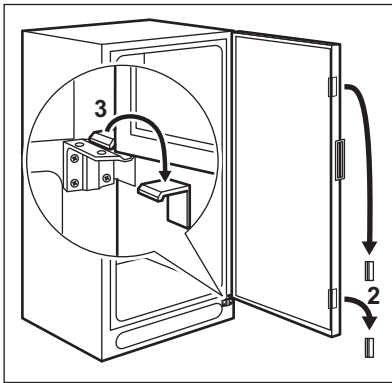
- directly above the appliance
- behind and above the top cupboard. In this case, the space behind the top cupboard must be at least 50 mm deep.



### 8.4 Removing the transport support

Your appliance is equipped with transport support to secure the door during transportation.

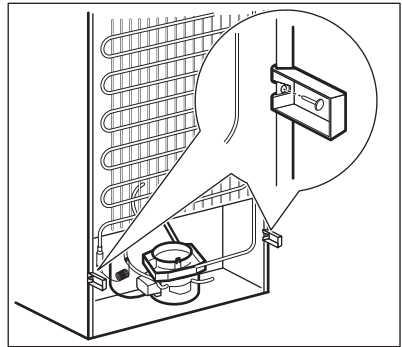
1. Open the door.
2. Remove the transport support from the door sides.
3. Remove the transport support from the lower hinge (some models).



Some models are fitted with a silencing pad under the cabinet. Do not remove this pad.

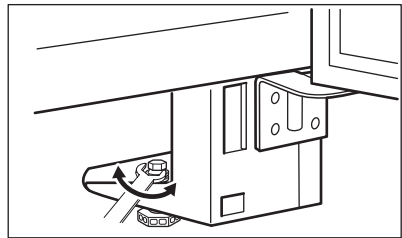
### 8.5 Rear spacers

Install the two spacers and the locking pins provided within the accessory bag as shown in the figure.



### 8.6 Levelling

When placing the appliance ensure that it stands level. If necessary adjust the feet using the adjustment spanner supplied. Door alignment is dependent on proper levelling.



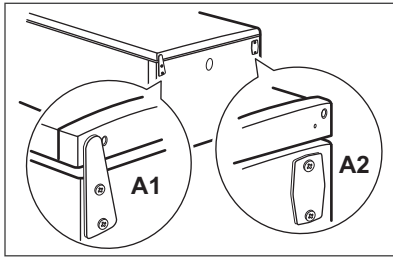
### 8.7 Door reversibility



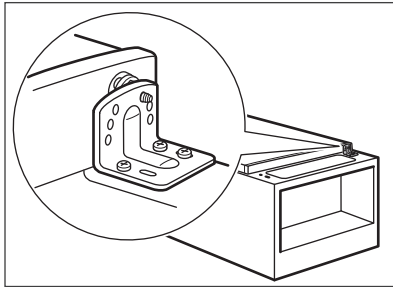
#### **WARNING!**

Before carrying out any operations, remove the plug from the power socket.

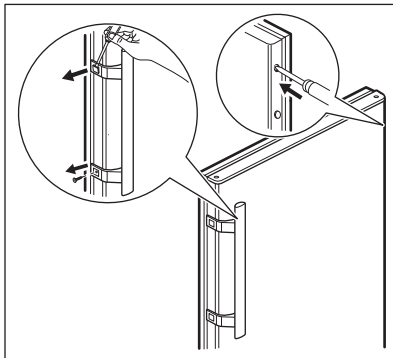
1. Remove the ventilation grille. Remove the filling and install it on the opposite side of the grille.
2. Lay down the appliance back side down on a wooden support.
3. Unscrew the upper hinge (A1) and the cover washer (A2) and install this on the opposite side.



4. Unscrew the lower hinge. Change the position of the pin and buffer. Screw the lower hinge on the opposite side.



5. Tighten the pin with the adjustment spanner supplied.
6. Raise the appliance and install the ventilation grille.
7. Remove the covers on the handles carefully with a small screwdriver.
8. Unscrew the handle.



9. On the opposite side remove the hole covers by driving a 3-4 mm drift or drill into them.
10. Install the handle.
11. Install the covers on the handle.
12. Install the hole covers provided within the accessory bag.
13. Put the cabinet in position.



**CAUTION!**

Reposition, level the appliance, wait for at least four hours and then connect it to the power socket.



Do a final check to make sure that:

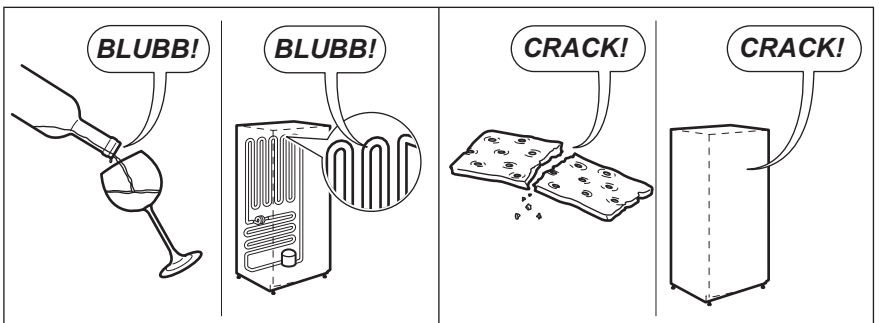
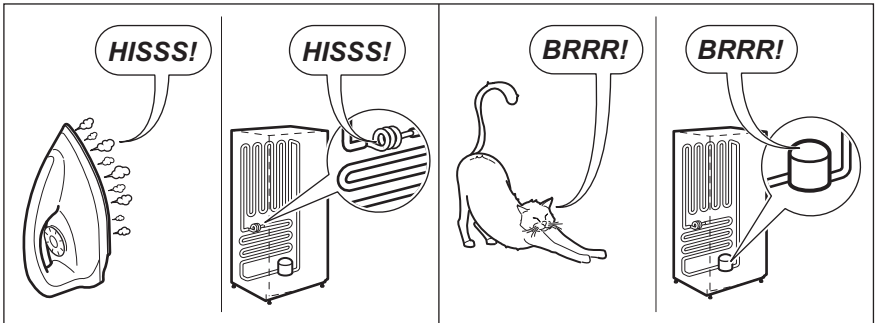
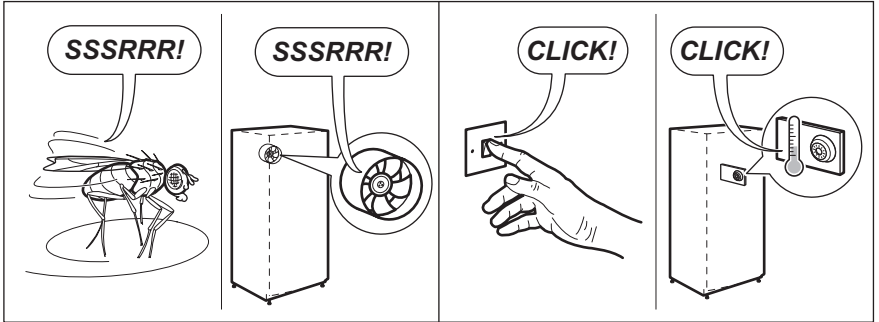
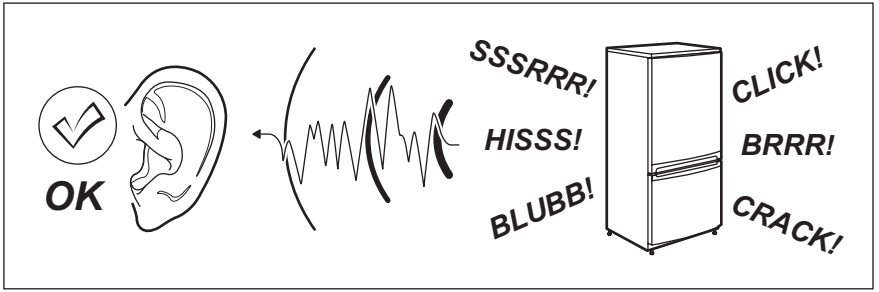
- All screws are tightened.
- The magnetic seal adheres to the cabinet.
- The door opens and closes correctly.

If the ambient temperature is cold (i.e. in Winter), the gasket may not fit perfectly to the cabinet. In that case, wait for the natural fitting of the gasket.

In case you do not want to carry out the above mentioned operations, contact the nearest Authorised Service Centre. The Authorised Service specialist will carry out the reversibility of the doors at your cost.

## 9. NOISES

There are some sounds during normal running (compressor, refrigerant circulation).





## 10. TECHNICAL INFORMATION

### 10.1 Technical data

<b>Dimensions</b>	Height × Width × Depth (mm):	Further technical information is situated on the rating plate on the internal left side of the appliance.
	1750 x 595 x 623	
<b>Voltage</b>	230-240 V	
<b>Frequency</b>	50 Hz	

## 11. ENVIRONMENT CONCERNS

Recycle the materials with the symbol . Put the packaging in applicable containers to recycle it. Help protect the environment and human health and to recycle waste of electrical and electronic appliances. Do not dispose appliances

marked with the symbol  with the household waste. Return the product to your local recycling facility or contact your municipal office.









[www.electrolux.com/shop](http://www.electrolux.com/shop)



298377126-A-262015

